

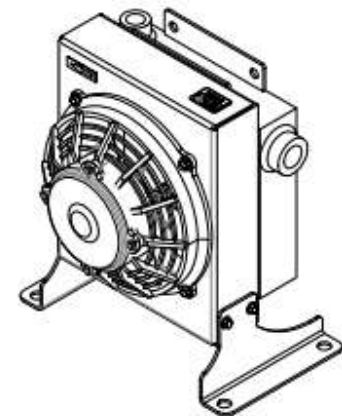
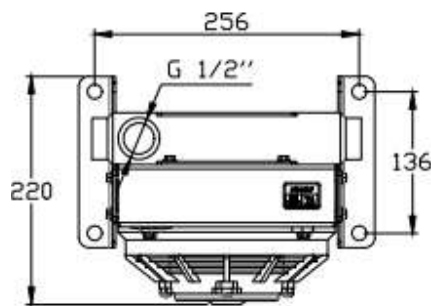
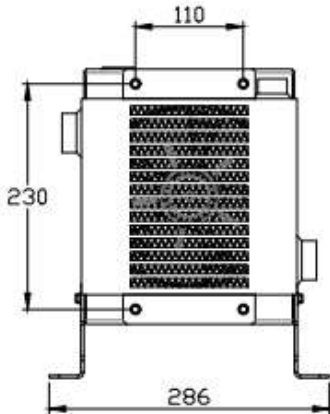
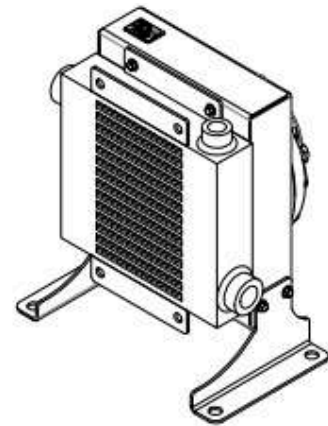
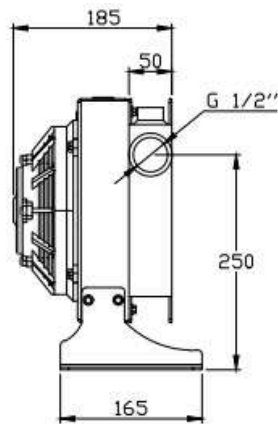
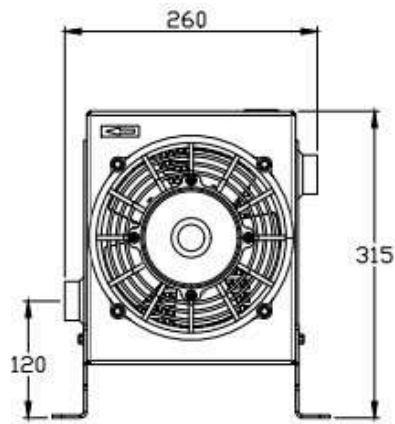
HYX 14

DC

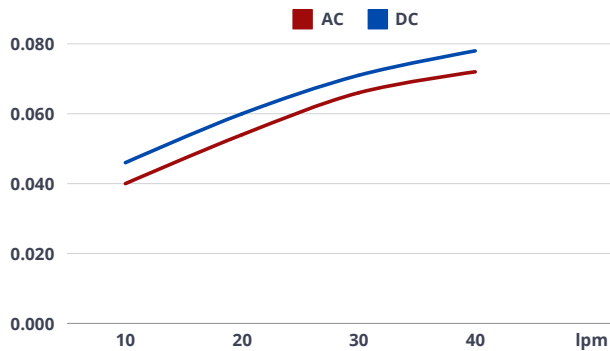
2010



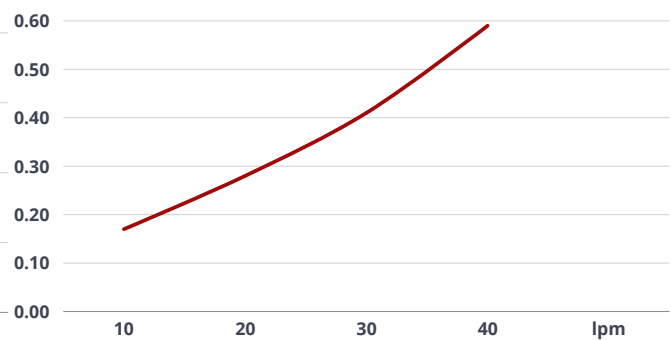
HYX 14 - 2010 - DC



**2010
PERFORMANCE DIAGRAM (KW/C°)**



**2010
PRESSURE DROP (BAR)**



VOLTAGE	OIL FLOW MAX	MAX COOLING CAPACITY	REVOLUTIONS PER MINUTE	FAN Ø	NOISE LEVEL	AIR	WORKING PRESSURE	TEST PRESSURE
V	L/min	kcal/h	r/min	mm	dB	m³/h	bar	bar
12 24	40	2500	3250	203	-	700	15	24