

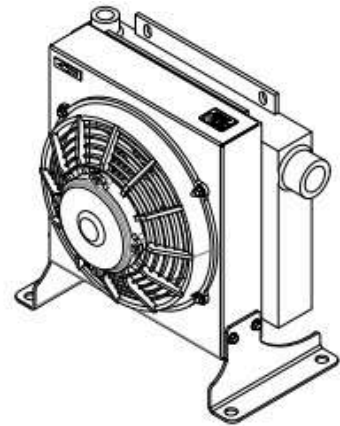
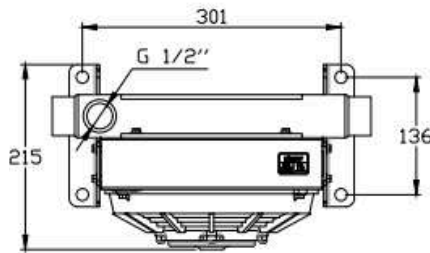
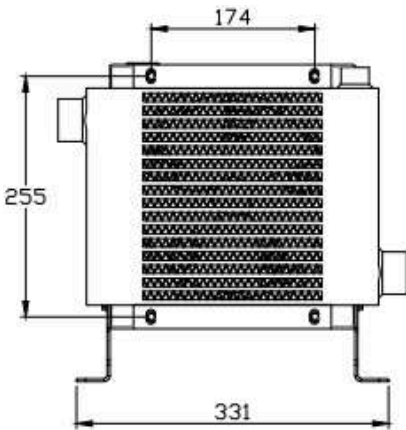
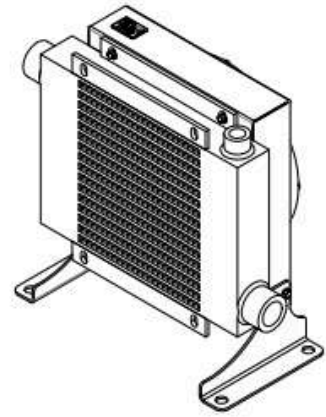
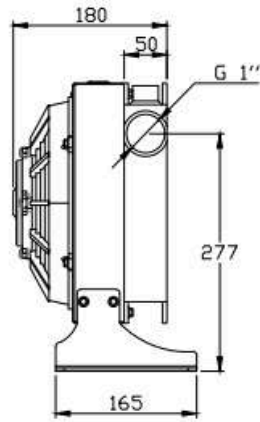
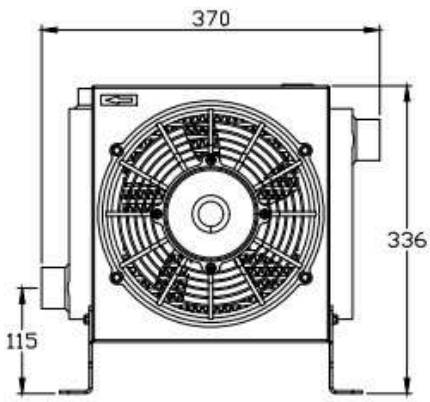
# HYX 21

# DC

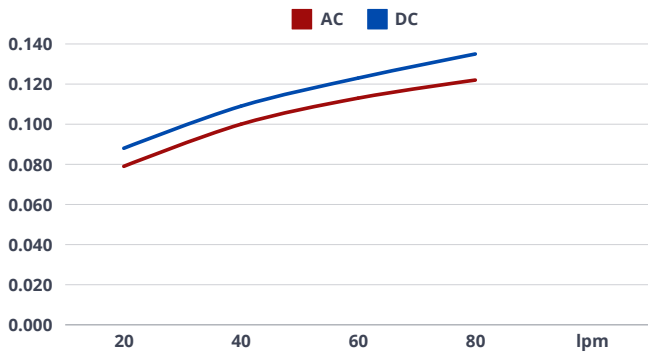
2015



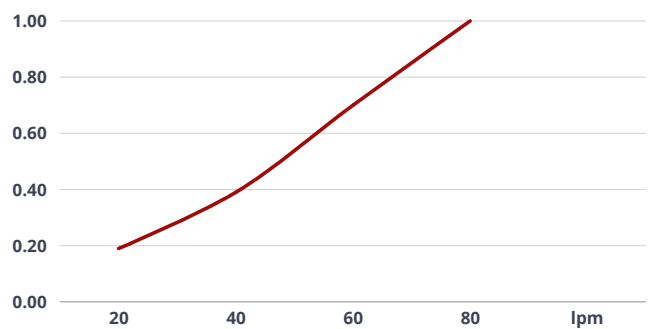
# HYX 21 - 2015 - DC



**2015 PERFORMANCE DIAGRAM (KW/C°)**



**2015 PRESSURE DROP (BAR)**



VOLTAGE	OIL FLOW MAX	MAX COOLING CAPACITY	REVOLUTIONS PER MINUTE	FAN Ø	NOISE LEVEL	AIR	WORKING PRESSURE	TEST PRESSURE
V	L/min	kcal/h	r/min	mm	dB	m³/h	bar	bar
12 24	80	6000	3250	225	-	820	15	24