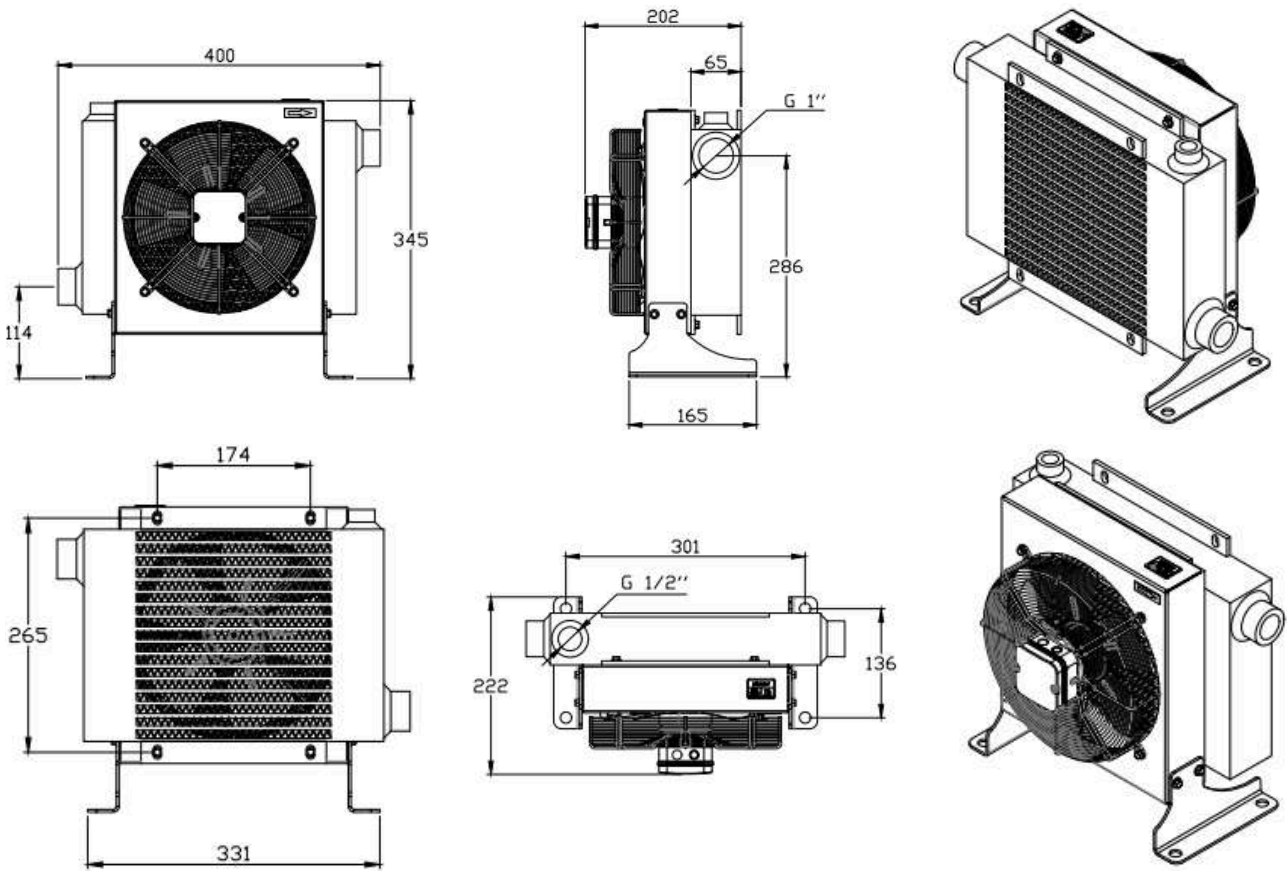


# HYX 24 AC

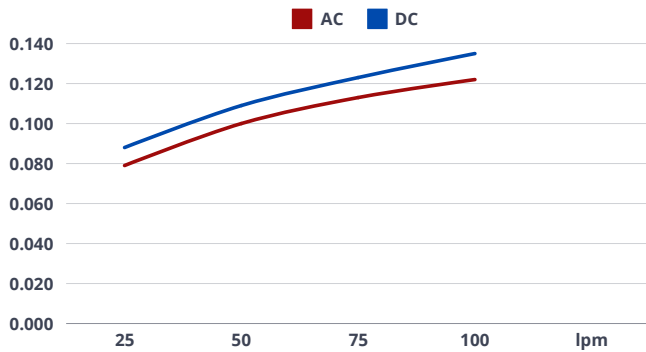
2020



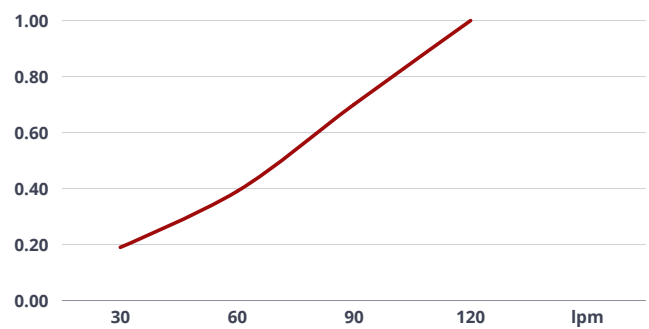
# HYX 24 - 2020 - AC



**2020  
PERFORMANCE DIAGRAM (KW/C°)**



**2020  
PRESSURE DROP (BAR)**



VOLTAGE	OIL FLOW MAX	MAX COOLING CAPACITY	REVOLUTIONS PER MINUTE	FAN Ø	NOISE LEVEL	AIR	WORKING PRESSURE	TEST PRESSURE
V	L/min	kcal/h	r/min	mm	dB	m³/h	bar	bar
220	100	7500	1415	200	53	268	15	24
380			1459					