

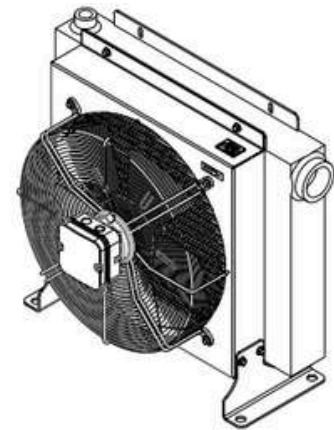
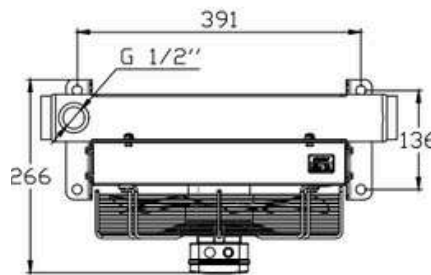
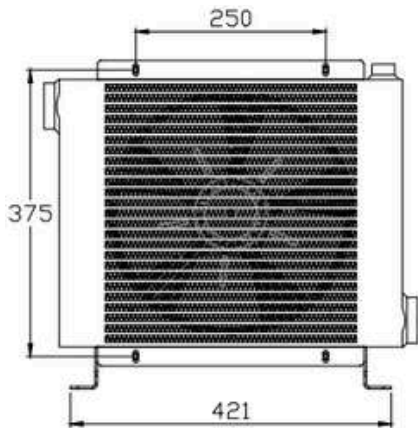
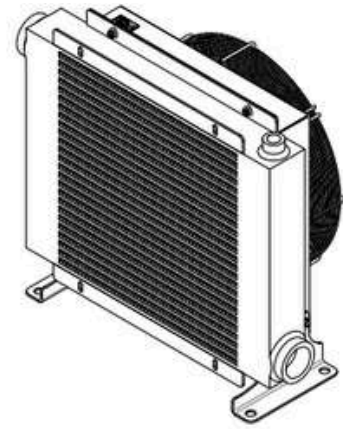
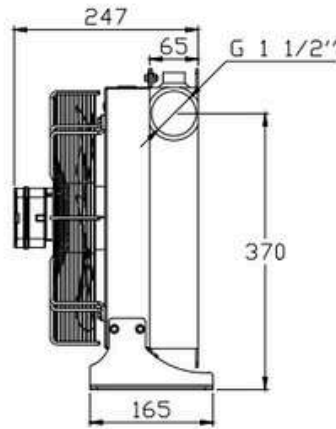
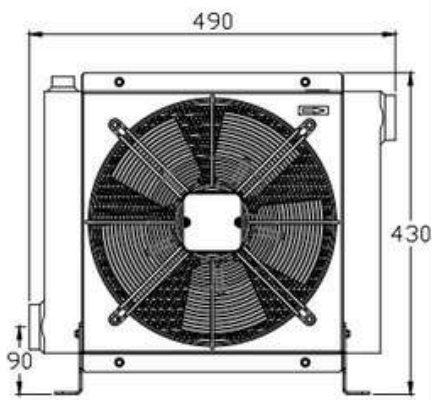
HYX 35

AC

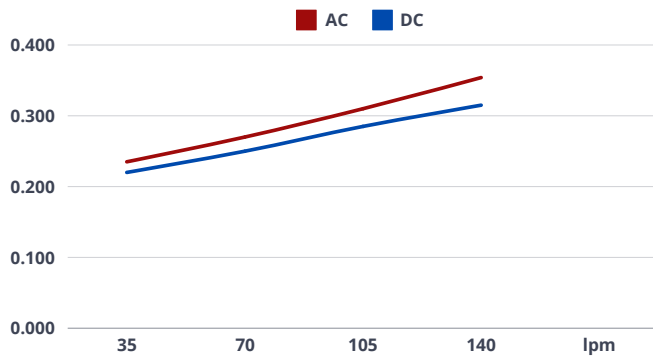
2030



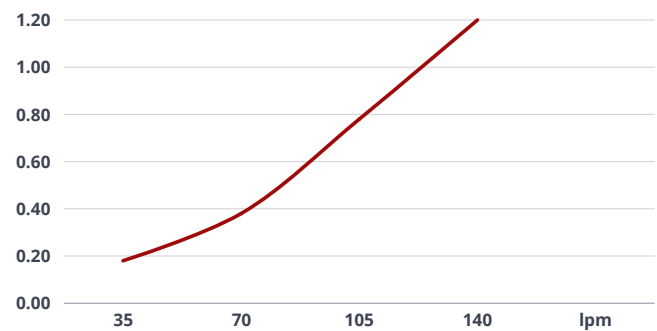
HYX 35 - 2030 - AC



2030 PERFORMANCE DIAGRAM (KW/C°)



2030 PRESSURE DROP (BAR)



| VOLTAGE | OIL FLOW MAX | MAX COOLING CAPACITY | REVOLUTIONS PER MINUTE | FAN Ø | NOISE LEVEL | AIR | WORKING PRESSURE | TEST PRESSURE |
|---------|--------------|----------------------|------------------------|-------|-------------|------|------------------|---------------|
| V | L/min | kcal/h | r/min | mm | dB | m³/h | bar | bar |
| 220 | 140 | 13000 | 1370 | 300 | 59 | 1757 | 15 | 24 |
| 380 | | | 1414 | | | | | |