

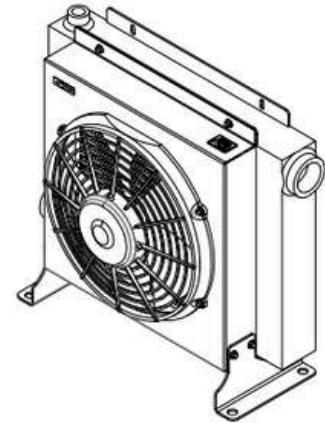
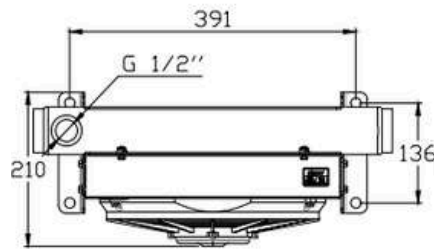
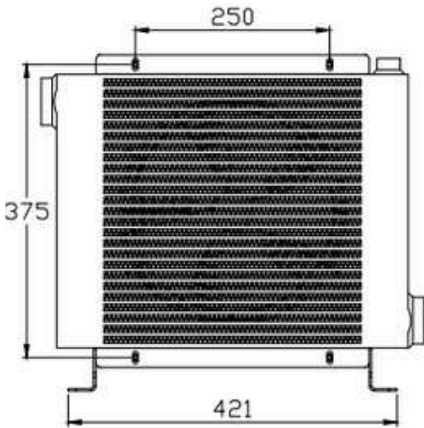
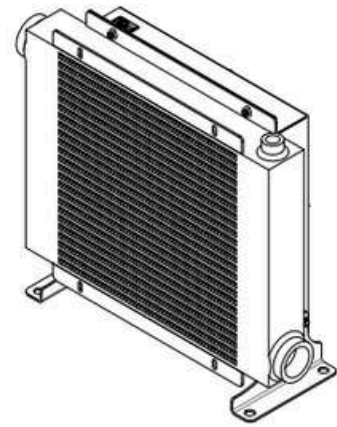
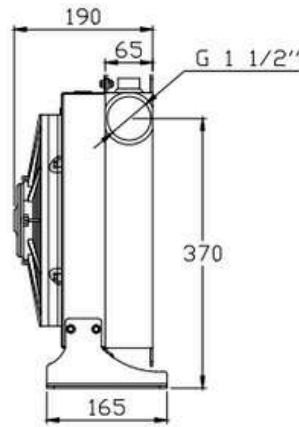
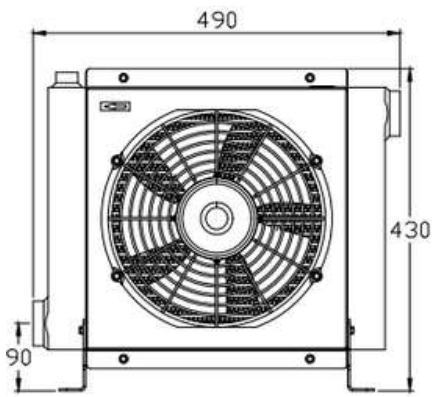
HYX 35

DC

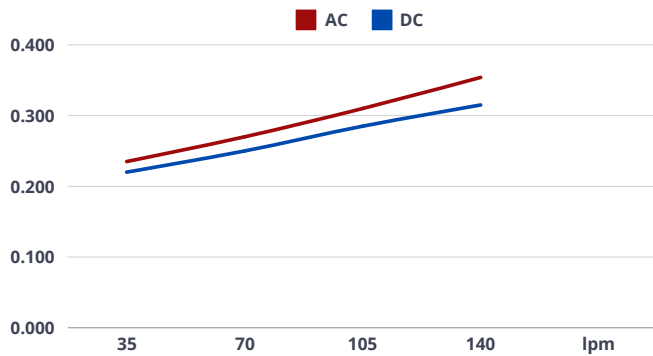
2030



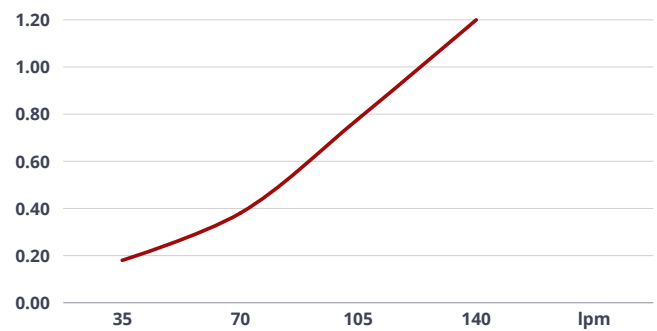
HYX 35 - 2030 - DC



2030 PERFORMANCE DIAGRAM (KW/C°)



2030 PRESSURE DROP (BAR)



VOLTAGE	OIL FLOW MAX	MAX COOLING CAPACITY	REVOLUTIONS PER MINUTE	FAN Ø	NOISE LEVEL	AIR	WORKING PRESSURE	TEST PRESSURE
V	L/min	kcal/h	r/min	mm	dB	m³/h	bar	bar
12 24	140	13000	2780	280	-	1560	15	24