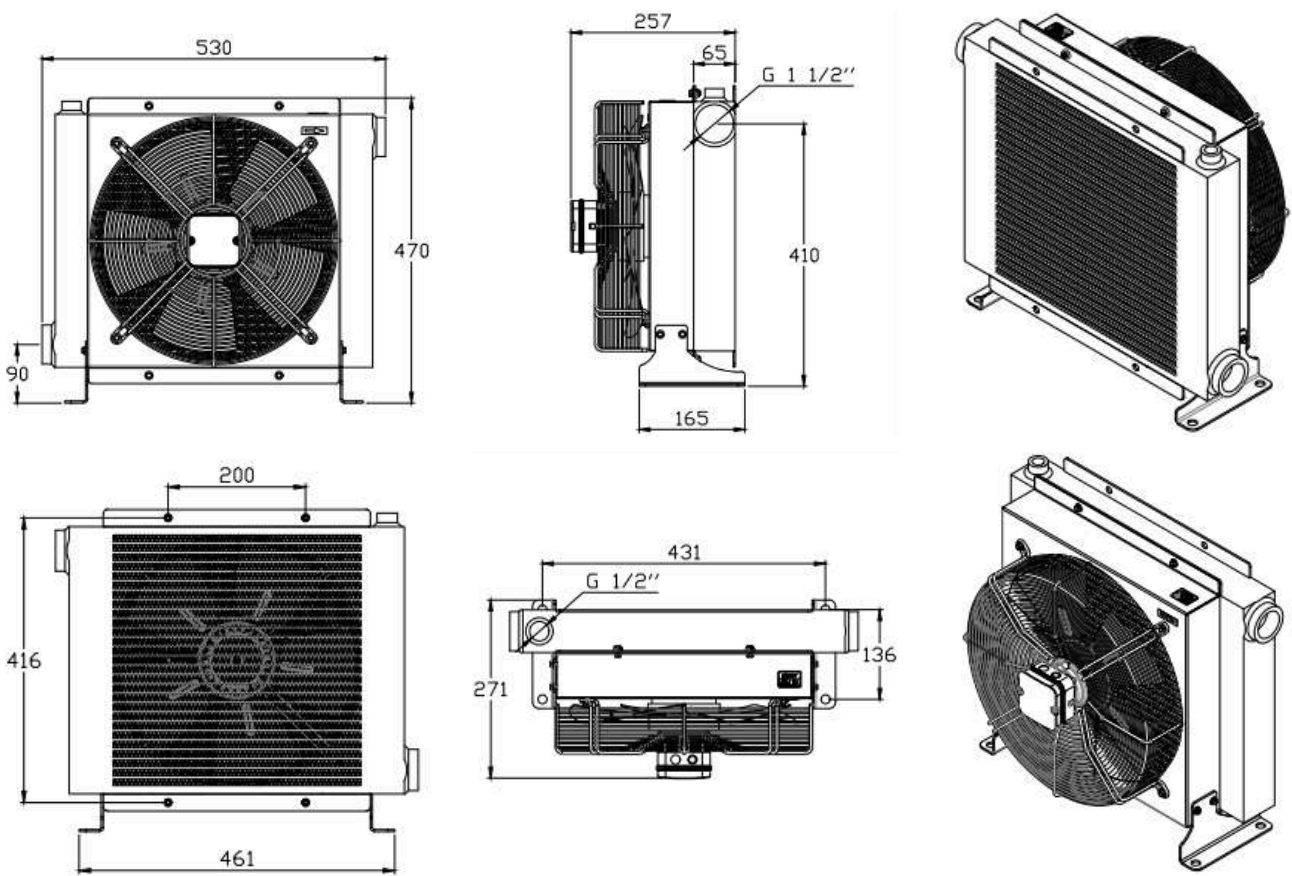


HYX 39 AC

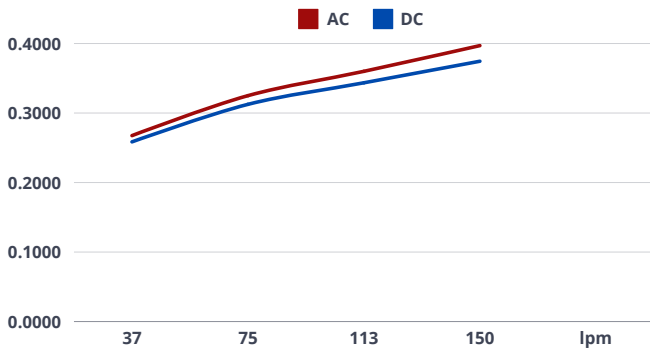
2
0
3
5



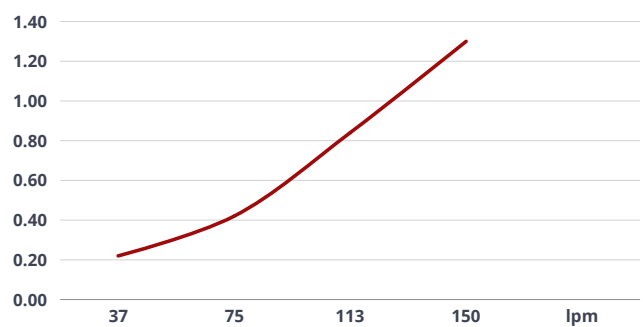
HYX 39 - 2035 - AC



**2035
PERFORMANCE DIAGRAM (KW/C°)**



**2035
PRESSURE DROP (BAR)**



| VOLTAGE | OIL FLOW MAX | MAX COOLING CAPACITY | REVOLUTIONS PER MINUTE | FAN Ø | NOISE LEVEL | AIR | WORKING PRESSURE | TEST PRESSURE |
|---------|--------------|----------------------|------------------------|-------|-------------|------|------------------|---------------|
| V | L/min | kcal/h | r/min | mm | dB | m³/h | bar | bar |
| 220 | 150 | 15500 | 1391 | 350 | 63 | 2800 | 15 | 24 |
| 380 | | | 1413 | | | 2842 | | |