

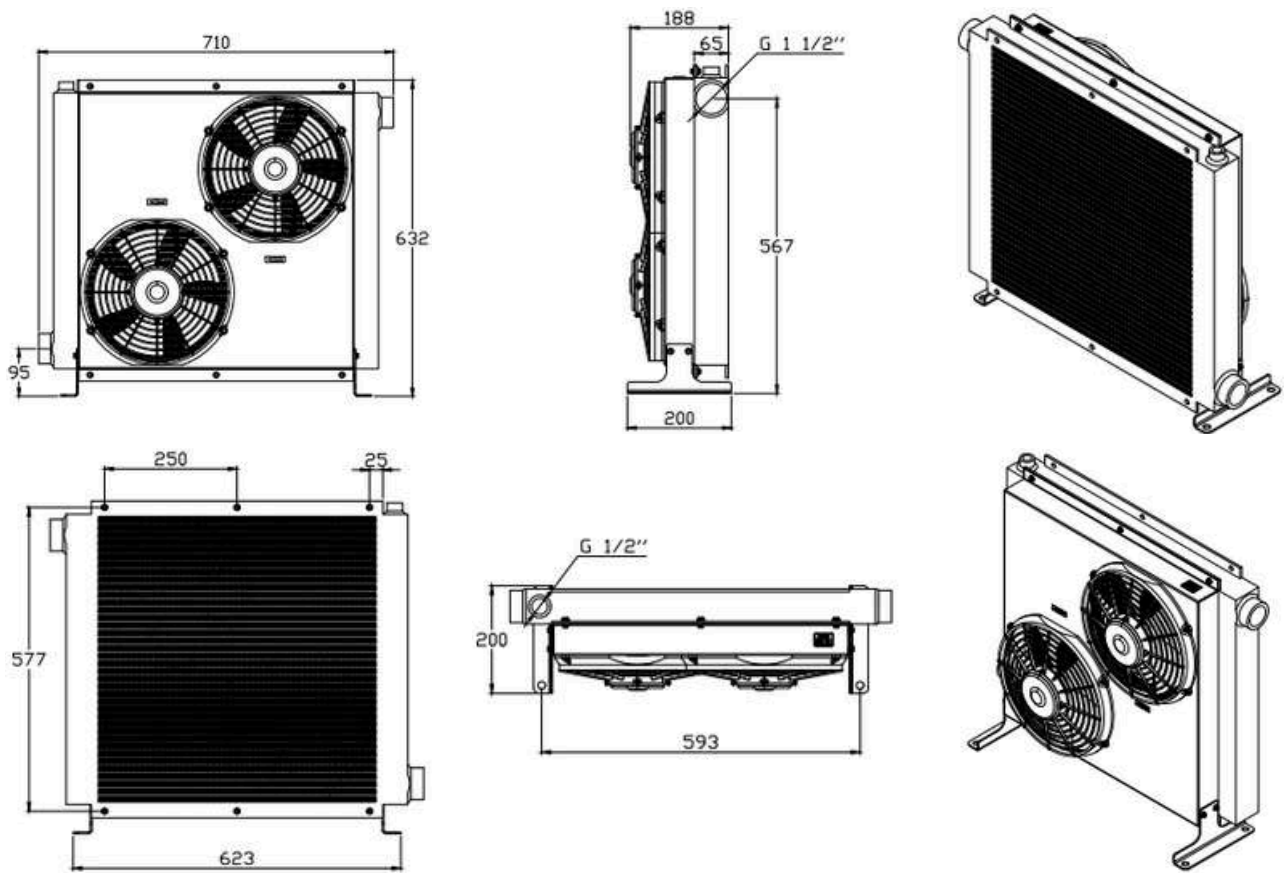
# **HYX 55**

**DC**

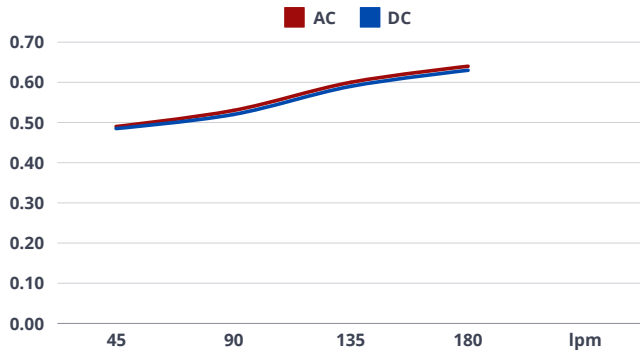
**2050**



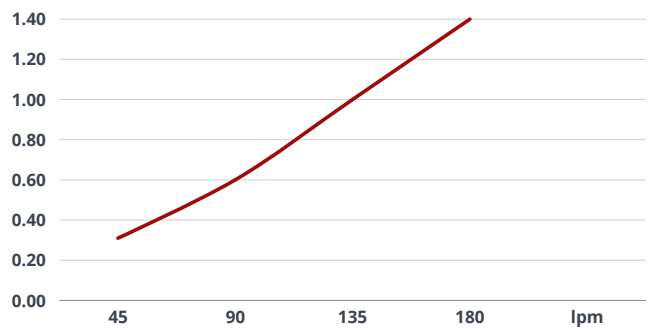
# HYX 55 - 2050 - DC



**2050  
PERFORMANCE DIAGRAM (KW/C°)**



**2050  
PRESSURE DROP (BAR)**



VOLTAGE	OIL FLOW MAX	MAX COOLING CAPACITY	REVOLUTIONS PER MINUTE	FAN Ø	NOISE LEVEL	AIR	WORKING PRESSURE	TEST PRESSURE
V	L/min	kcal/h	r/min	mm	dB	m³/h	bar	bar
12 24	180	25000	2780	280	-	1560x2	15	24