

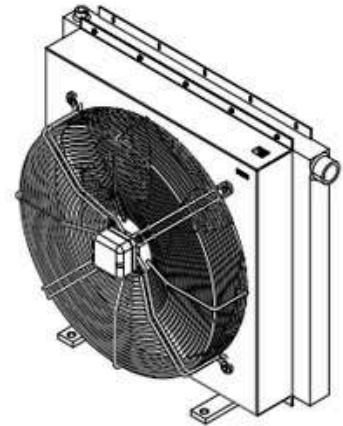
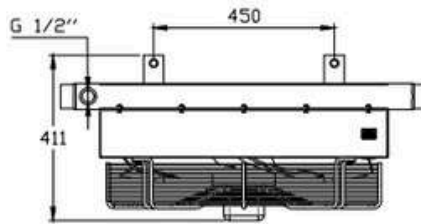
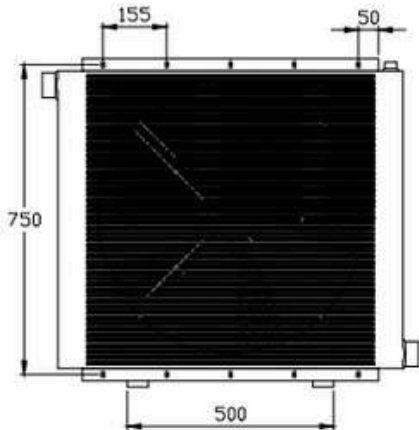
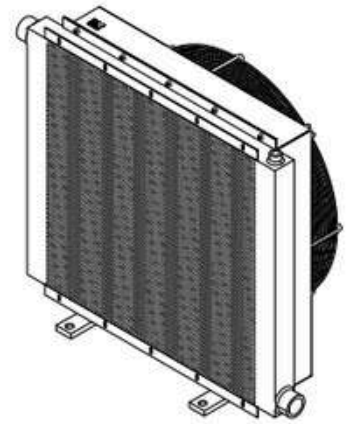
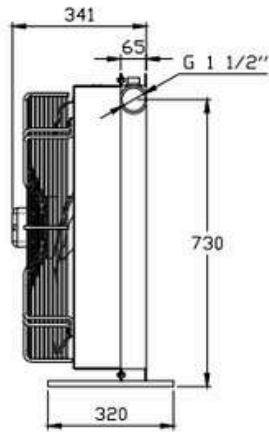
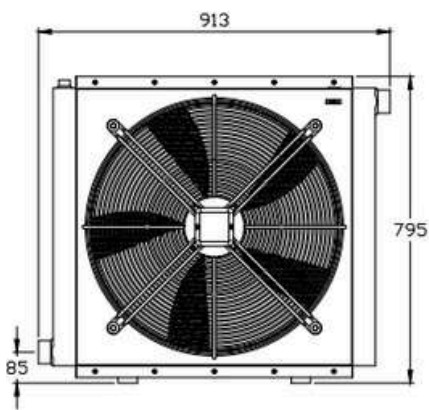
HYX 72

AC

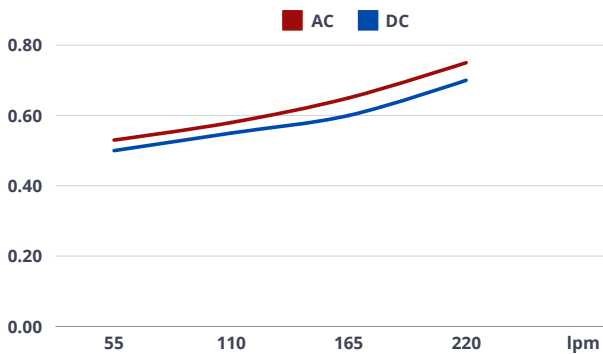
2
0
7
0



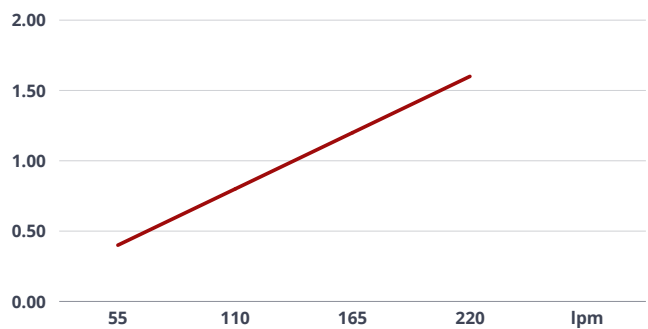
HYX 72 - 2070 - AC



2070 PERFORMANCE DIAGRAM (KW/C°)



2070 PRESSURE DROP (BAR)



VOLTAGE	OIL FLOW MAX	MAX COOLING CAPACITY	REVOLUTIONS PER MINUTE	FAN Ø	NOISE LEVEL	AIR	WORKING PRESSURE	TEST PRESSURE
V	L/min	kcal/h	r/min	mm	dB	m³/h	bar	bar
220	220	30000	1398	630	77	11224	15	24
380			1414			11304		